

How to install reverse camera at MyLink

1. Buy universal camera without traces. Only NTSC type, and install



Use for (+) signal from reverse light, ground take from car body

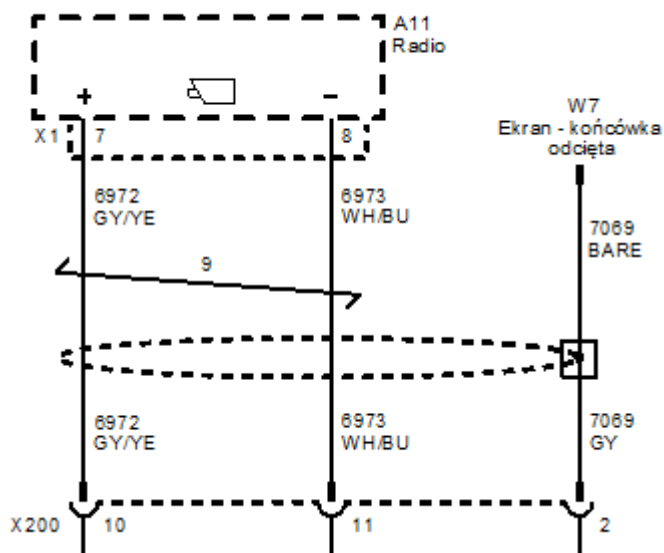
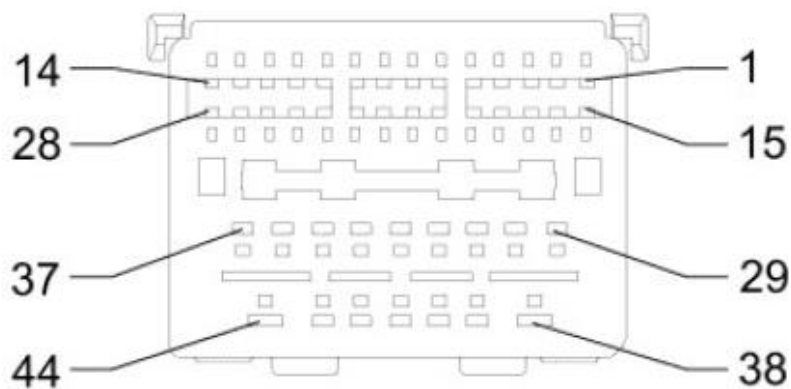
2. Buy cable with pins



3. Install camera and adapter.

Adapter install in to rear socket of radio A11 to pin 7 and 8. Green cable is not use for us.

A11 Radioodbiornik X1

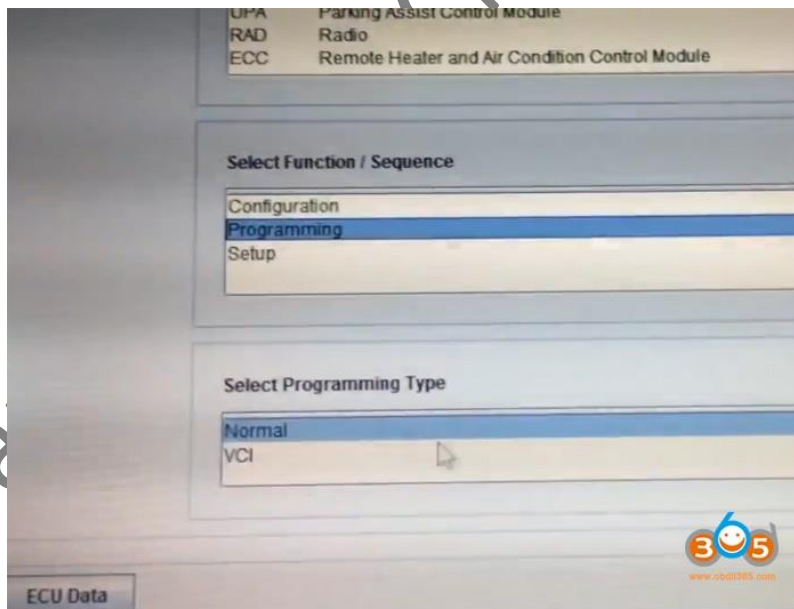


4. Find VIN of same car , with only difference that is one is having reverse camera RPO: UVC.
Write this VIN

- Go to WebTIS (**need account and payable access**)



- Choose Service Programming System (SPS)
- Write VIN number with reverse camera
- Choose RAD and Programming – Normal



- Program Radio. Takes ca. 30 minutes
- System will restart and if connection are made ok, camera start works when is reverse gear.